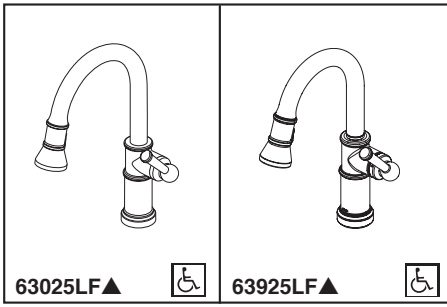


BRIZO®

KITCHEN FAUCETS

- Artesso® Collection
- Single Handle Deck Mount



63025LF▲

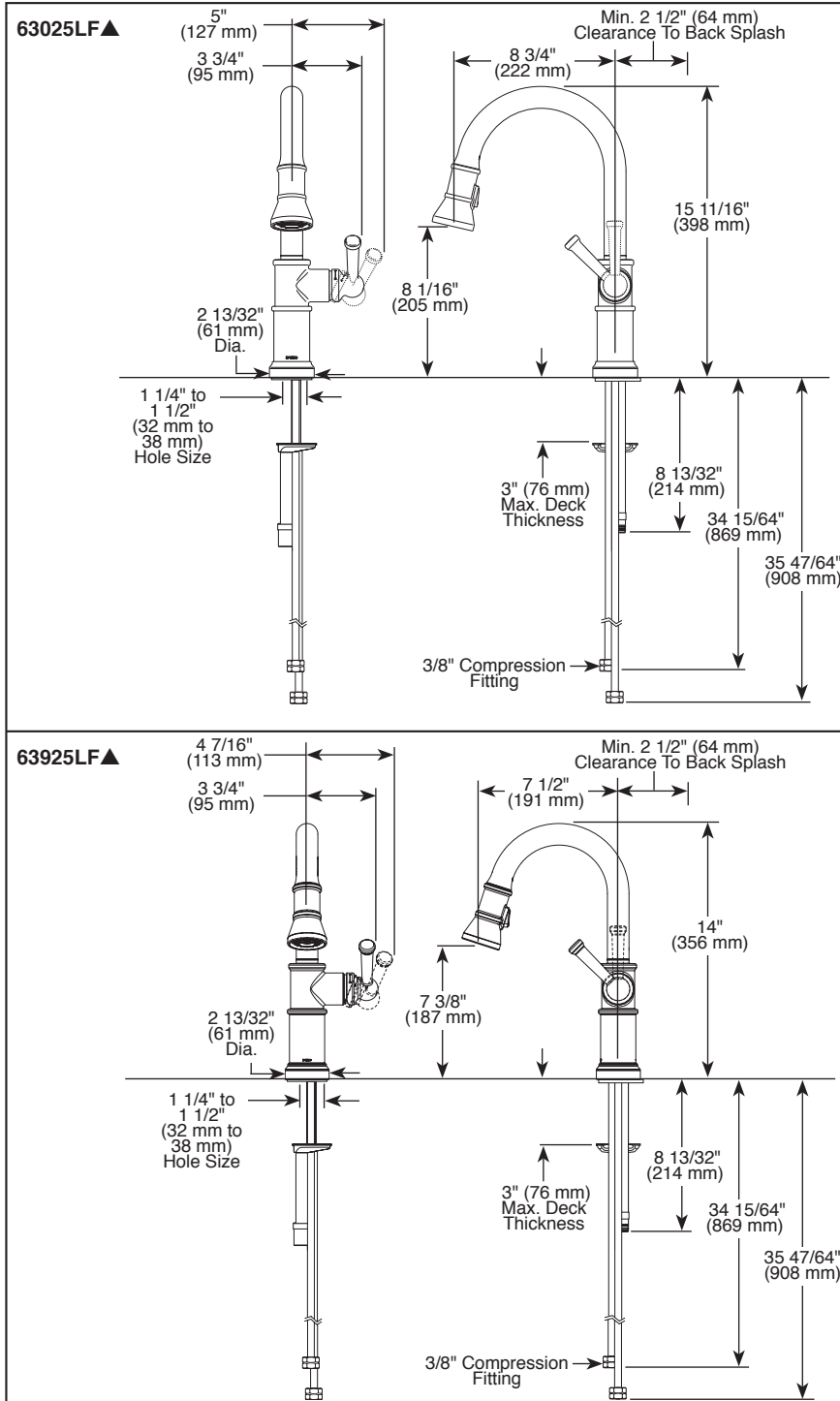


63925LF▲



Submitted Model No.:

Specific Features:



▲ Designate proper finish suffix

Brizo Kitchen & Bath Company reserves the right (1) to make changes in specifications and materials, and (2) to change or discontinue models, both without notice or obligation. Dimensions are for reference only. See current full-line price book or www.brizo.com for finish options and product availability.

BSP-K-63025LF Rev. D

FEATURES:

- DIAMOND Seal® Technology
- MagneDock® Magnetic Docking
- Touch-Clean® Sprayhead

STANDARD SPECIFICATIONS:

- Maximum 1.8 gpm @ 60 psi, 6.8 L/min @ 414 kPa
- One hole mount
- Spout rotates 360°
- Diamond coated ceramic cartridge
- Quick connect hoses
- Two-function wand: aerated stream or spray
- Dual integral check valves in sprayer

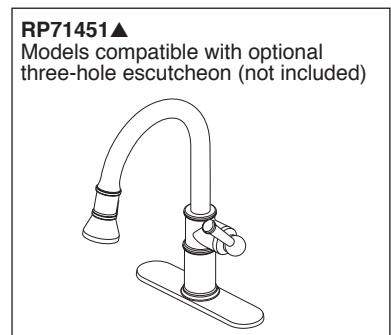
WARRANTY

- Lifetime limited warranty on parts (other than electronic parts and batteries) and finishes: or, for commercial users, for 5 years from date of purchase.
- 5 year limited warranty on electronic parts (other than batteries); or, for commercial users, for 1 year from the date of purchase. No warranty is provided on batteries.



COMPLIES WITH:

- ASME A112.18.1 / CSA B125.1
- ASME A112.18.6
- Indicates compliance to ICC/ANSI A117.1
- Verified compliant with .25% weighted average Pb content regulations.



Brizo Kitchen & Bath Company
Indianapolis, Indiana 46280
A Division of Masco Corporation of Indiana
© 2016 Brizo Kitchen & Bath Company